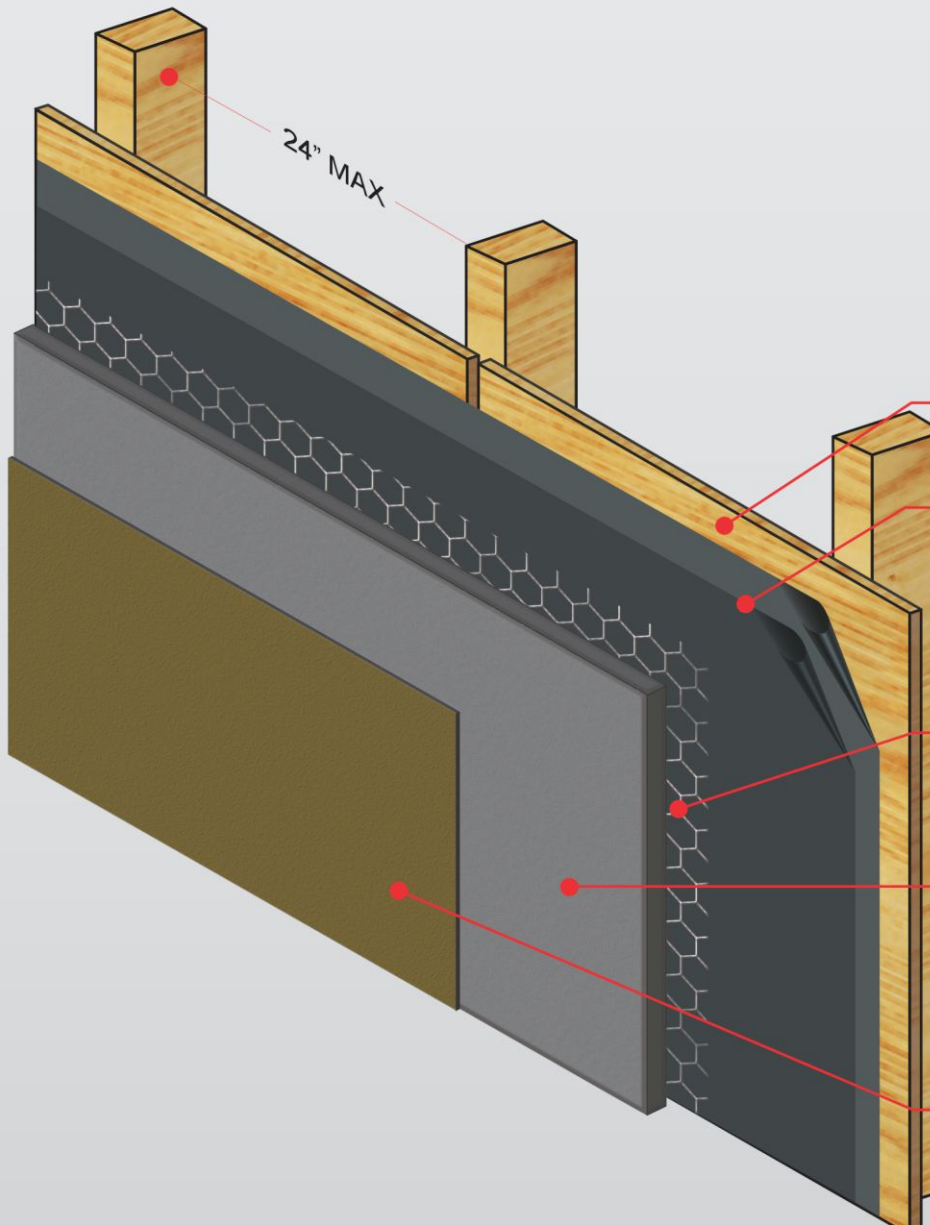


WESTERN 1-KOTE
No Foam Insulation

THREE YEAR WARRANTY



Wood based structural panels.

Single source weather barrier system.

Woven Wire.

SANDED Western 1 Kote applied to a minimum thickness of 3/8".

Finish Coat. 09220-PAF (Acrylic Finish)

09220-1KNF